

EV
NEW

3-5CR



 **PEDROLLO**[®]
... the spring of life



NEW

TECHNICAL CHARACTERISTICS

- ▶ Completely renewed range
- ▶ New design
- ▶ Stainless steel pump body
- ▶ New, improved hydraulics for reduced energy consumption
- ▶ The most silent model in the centrifugal series
- ▶ Registered model

INSTALLATION AND USE

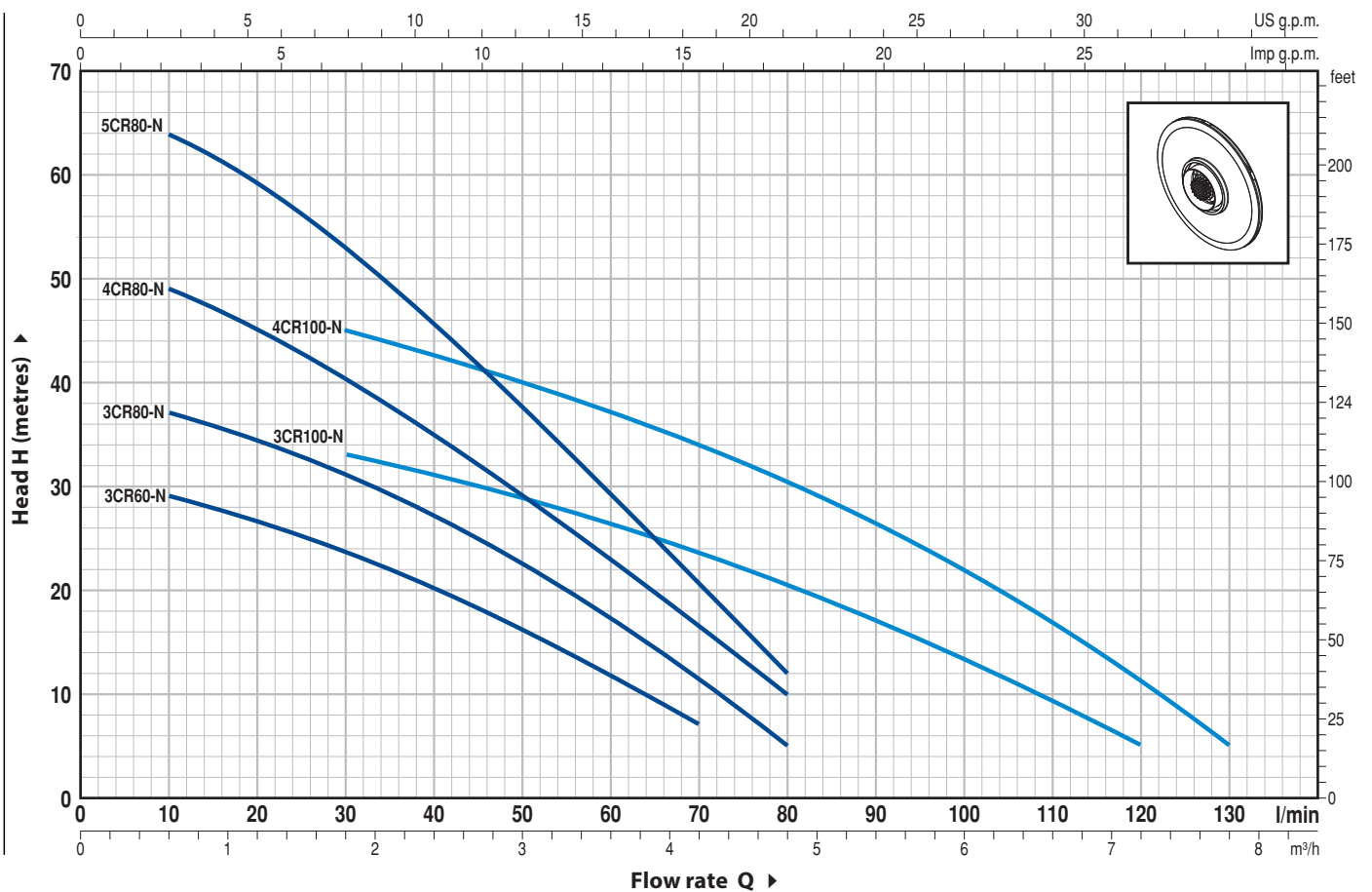
As a result of their quietness, these pumps are widely used in domestic applications such as the distribution of water in combination with small and medium sized pressure sets, and for the irrigation of gardens and allotments, etc.
The pump should be installed in an enclosed environment, or at least sheltered from inclement weather.

APPLICATION LIMITS

- Manometric suction lift up to **7 m**
- Liquid temperature between **-10 °C** and **+40 °C**
- Ambient temperature up to **+40 °C**

CHARACTERISTIC CURVES AND PERFORMANCE DATA

50 Hz n= 2900 1/min HS= 0 m

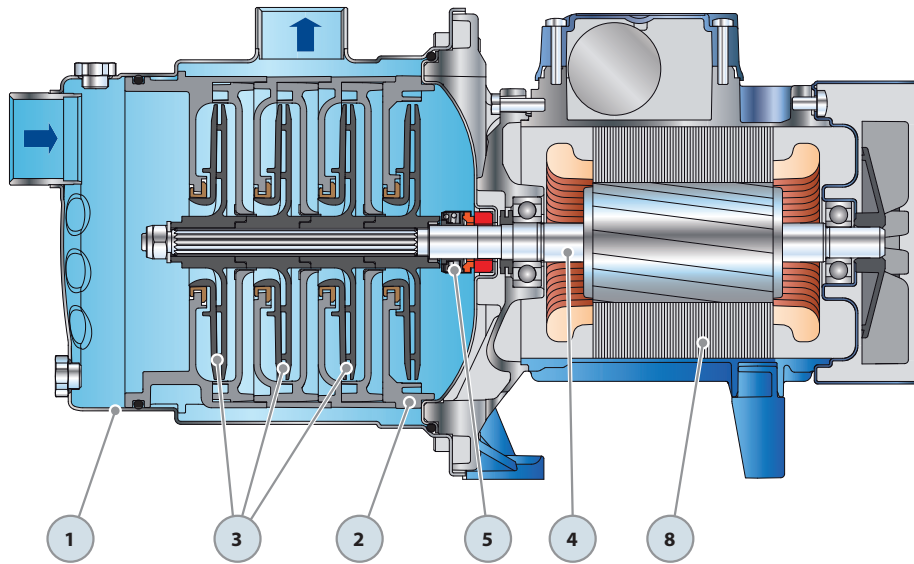


MODEL		POWER		Q	H metres																		
Single-phase	Three-phase	kW	HP		m³/h	0	0.3	0.6	0.9	1.2	1.5	1.8	2.4	3.0	3.6	4.2	4.8	5.4	6.0	6.6	7.2	7.8	
				l/min	0	5	10	15	20	25	30	40	50	60	70	80	90	100	110	120	130		
3CRm 60-N	–	0.37	0.50	H metres	30	29.5	29	28	26.5	25	23.5	20	16	11.5	7								
3CRm 80-N	3CR 80-N	0.45	0.60		40	38	37	36	34.5	33	31	27	22.5	17	11	5							
4CRm 80-N	4CR 80-N	0.60	0.85		52	50	49	47	44.5	42	40	34	28.5	22.5	16	10							
5CRm 80-N	5CR 80-N	0.75	1		67	66	64	62	59	56	53	45.5	37.5	29.5	20.5	12							
3CRm 100-N	3CR 100-N	0.60	0.85		38	37	36	35	34.5	33.5	33	31	28	26	23	20	17	13.5	10	5			
4CRm 100-N	4CR 100-N	0.75	1		50	50	49	48	47	46	45	42	39.5	37	34	30.5	26.5	22	17	11	5		

Q = Flow rate H = Total manometric head HS = Suction height

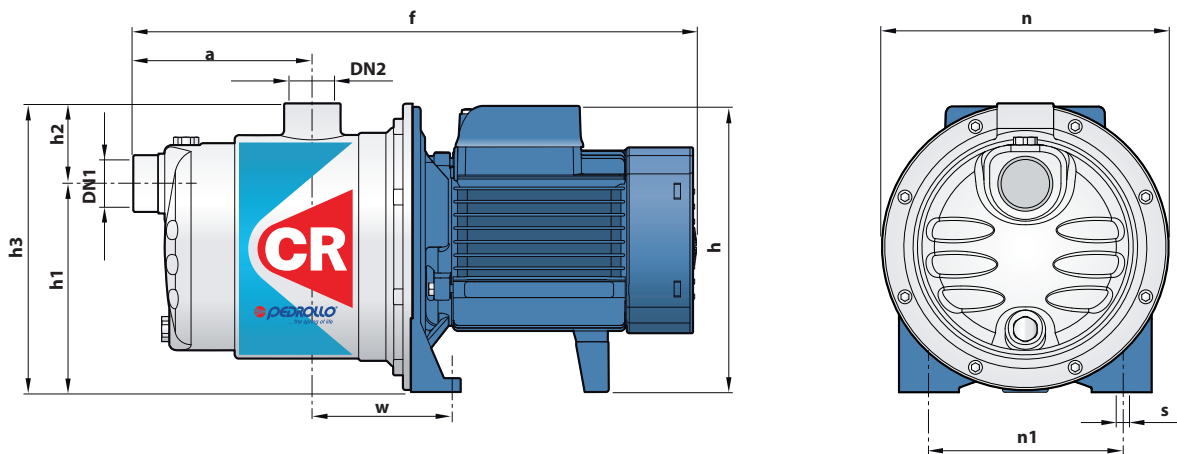
Tolerance of characteristic curves in compliance with EN ISO 9906 Grade 3.

CONSTRUCTION CHARACTERISTICS



- 1 PUMP BODY** Stainless steel AISI 304, complete with threaded ports in compliance with ISO 228/1
- 2 BODY BACKPLATE** Stainless steel AISI 304
- 3 IMPELLERS** Noryl GFN2V
- 4 MOTOR SHAFT** Stainless steel EN 10088-3 - 1.4104

DIMENSIONS



MODEL		PORTS		DIMENSIONS mm										
Single-phase	Three-phase	DN1	DN2	a	f	h	h1	h2	h3	n	n1	w	s	
3CRm 60-N	–	1"	1"	113	357	182	132	51	183	182	120	87	9	
3CRm 80-N	3CR 80-N													
4CRm 80-N	4CR 80-N													
5CRm 80-N	5CR 80-N			138	411	202								10
3CRm 100-N	3CR 100-N			113	357	182								9
4CRm 100-N	4CR 100-N													



Pedrollo S.p.A. – Via Enrico Fermi, 7 – 37047 – San Bonifacio (VR)
tel. 045 6136311 – fax 045 7614663 – sales@pedrollo.com – www.pedrollo.com