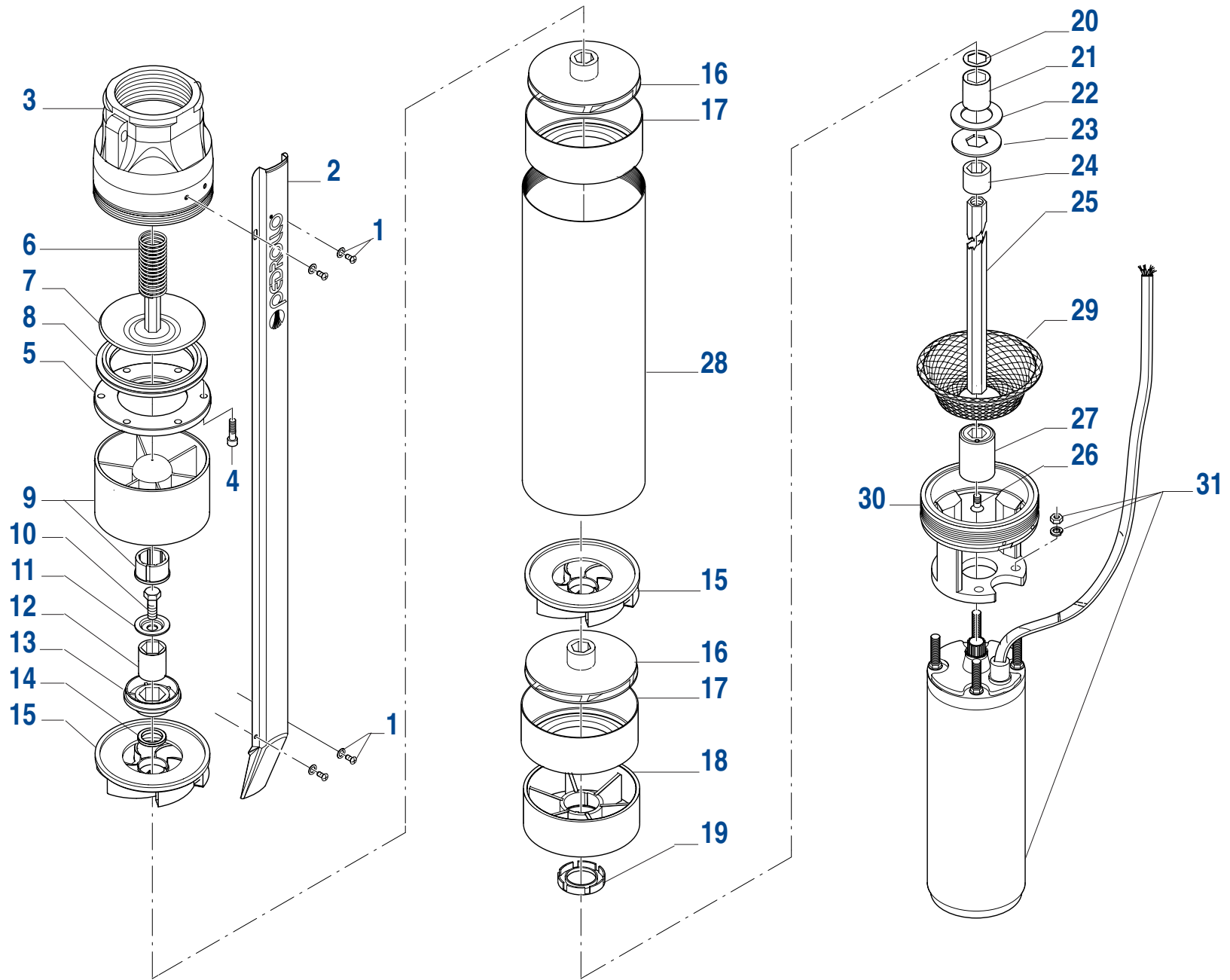


# 6SR



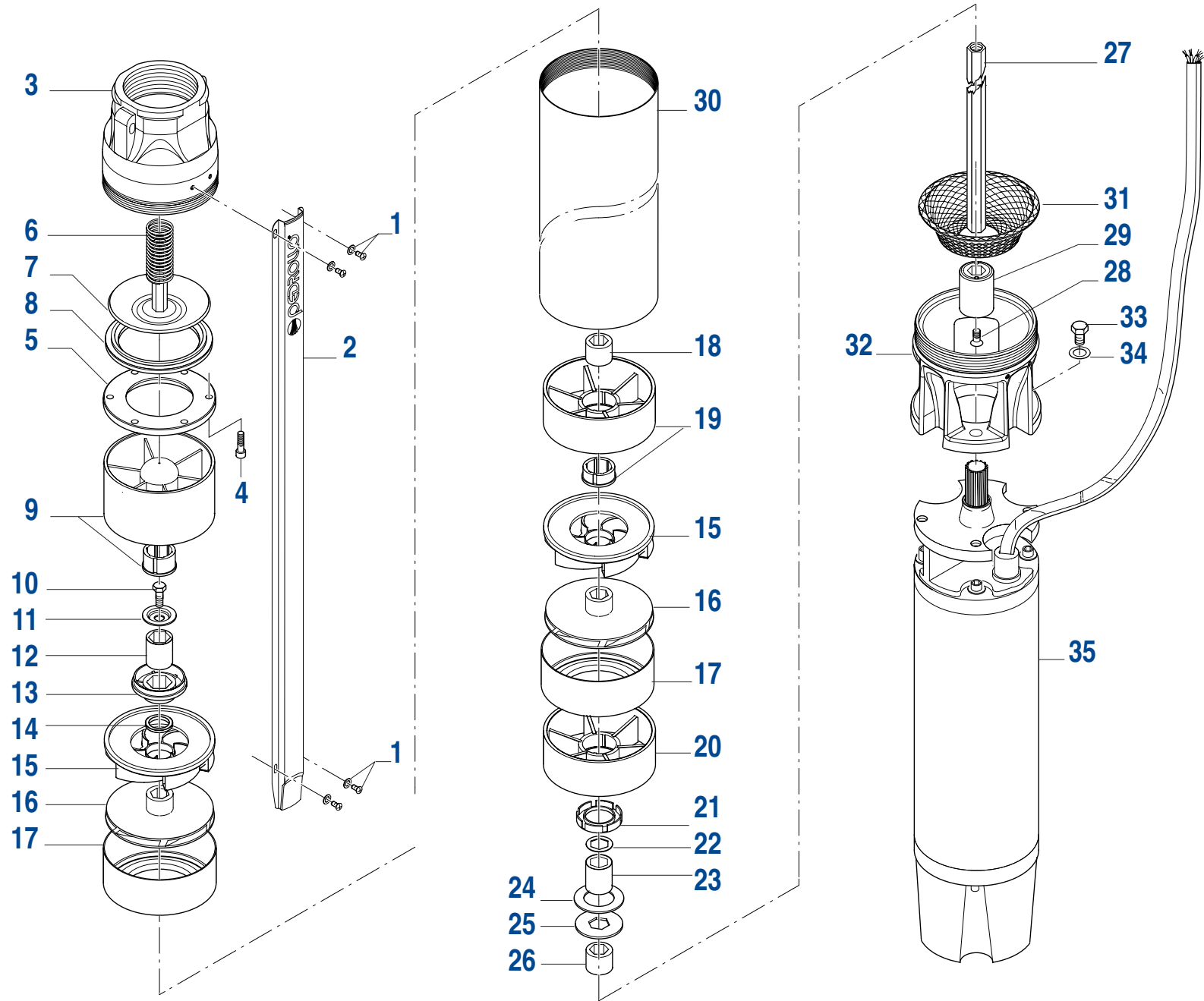
1~		3~		1~		3~		1~		3~	
—	6SR9/5	- 4"	—	6SR18/6	- 4"	—	6SR9/5	- 6"	—	6SR18/6	- 6"
—	6SR9/7	- 4"	—	6SR18/9	- 4"	—	6SR9/7	- 6"	—	6SR18/9	- 6"
—	6SR9/9	- 4"	—	6SR18/11	- 4"	—	6SR9/9	- 6"	—	6SR18/11	- 6"
—	6SR9/12	- 4"	—	6SR18/13	- 4"	—	6SR9/12	- 6"	—	6SR18/13	- 6"
—	6SR9/17	- 4"	—	6SR18/15	- 4"	—	6SR9/17	- 6"	—	6SR18/15	- 6"
—	6SR9/21	- 4"	—	6SR18/18	- 4"	—	6SR9/21	- 6"	—	6SR18/18	- 6"
—	6SR9/24	- 4"	—	6SR18/22	- 4"	—	6SR9/24	- 6"	—	6SR18/22	- 6"
—	6SR12/4	- 4"	—	6SR18/26	- 4"	—	6SR12/4	- 6"	—	6SR18/26	- 6"
—	6SR12/6	- 4"	—	6SR27/5	- 4"	—	6SR12/6	- 6"	—	6SR27/5	- 6"
—	6SR12/8	- 4"	—	6SR27/7	- 4"	—	6SR12/8	- 6"	—	6SR27/7	- 6"
—	6SR12/11	- 4"	—	6SR27/8	- 4"	—	6SR12/11	- 6"	—	6SR27/8	- 6"
—	6SR12/15	- 4"	—	6SR27/10	- 4"	—	6SR12/15	- 6"	—	6SR27/10	- 6"
—	6SR12/18	- 4"	—	6SR27/12	- 4"	—	6SR12/18	- 6"	—	6SR27/12	- 6"
—	6SR12/21	- 4"	—	6SR27/14	- 4"	—	6SR12/21	- 6"	—	6SR27/14	- 6"
—	6SR12/25	- 4"	—	6SR27/17	- 4"	—	6SR12/25	- 6"	—	6SR27/17	- 6"
—	6SR12/28	- 4"	—	6SR27/20	- 4"	—	6SR12/28	- 6"	—	6SR27/20	- 6"
—	6SR18/4	- 4"	—	6SR27/27	- 4"	—	6SR18/4	- 6"	—	6SR27/27	- 6"



02.40.02

N°	Codice Code Reference Codigo	6SR9/5 4"	6SR9/7 4"	6SR9/9 4"	6SR9/12 4"	Descrizione	Description	Description	Descripción
1	1160330A	x	x	x	x	Vite con rondella	Screw with washer	Vis avec rondelle	Tornillo con arandela
2	857X6S0900	x				Copricavo	Cable guard	Protection de câble	Protector del cable
2	857X6S0906		x			Copricavo	Cable guard	Protection de câble	Protector del cable
2	857X6S1800			x		Copricavo	Cable guard	Protection de câble	Protector del cable
2	857X6S0911				x	Copricavo	Cable guard	Protection de câble	Protector del cable
3	859CM6PB	x	x	x	x	Corpo di mandata	Discharge head	Corps de refoulement	Cuerpo de impulsión
4	1160036	x	x	x	x	Vite	Screw	Vis	Tornillo
5	14FL55	x	x	x	x	Flangia	Flange	Bride	Brida
6	114010	x	x	x	x	Molla	Spring	Ressort	Muelle
7	157XV65SR	x	x	x	x	Valvola	Valve	Clapet	Válvula
8	11506151	x	x	x	x	Guarnizione	Gasket	Joint	Junta
9	122SS6P1A	x	x	x	x	Supporto superiore	Upper bearing	Palier superieur	Soporte superior
10	1160044	x	x	x	x	Vite	Screw	Vis	Tornillo
11	11478266	x	x	x	x	Rondella	Washer	Rondelle	Arandela
12	15706S05	x	x	x	x	Distanziale	Spacer	Entretoise	Distanciador
13	1216001	x	x	x	x	Coperchio	Cover	Couvercle	Tapa
14	11478259	x	x	x	x	Rondella	Washer	Rondelle	Arandela
15	121D6SR09N	x	x	x	x	Diffusore	Diffuser	Diffuseur	Difusor
16	161GR6SR09P	x	x	x	x	Girante	Impeller	Roue	Rodete
17	857XA6R12	x	x	x	x	Scatola porta diffusore	Bowl	Boîte diffuseur	Caja porta difusor
18	122Si6P0	x	x	x	x	Supporto inferiore	Lower bearing	Palier inferieur	Soporte inferior
19	157X6SR01	x	x	x	x	Coperchio	Cover	Couvercle	Tapa
20	11478256	x	x	x	x	Rondella	Washer	Rondelle	Arandela
21	15706S05	x	x	x	x	Distanziale	Spacer	Entretoise	Distanciador
22	114748	x	x	x	x	Rondella	Washer	Rondelle	Arandela
23	11478267	x	x	x	x	Rondella	Washer	Rondelle	Arandela
24	15706S10	x	x	x	x	Distanziale	Spacer	Entretoise	Distanciador
25	RDC08A01	x				Albero	Shaft	Arbre	Eje
25	RDC08B01		x			Albero	Shaft	Arbre	Eje
25	RDC08C01			x		Albero	Shaft	Arbre	Eje
25	RDC08D01				x	Albero	Shaft	Arbre	Eje
26	11604663	x	x	x	x	Vite	Screw	Vis	Tornillo
27	162GNR6N4	x	x	x	x	Giunto	Coupling	Accouplement	Acoplamiento
28	857209A01A	x				Camicia pompa	External sleeve	Chemise estérieur	Camisa bomba
28	857209B01A		x			Camicia pompa	External sleeve	Chemise estérieur	Camisa bomba
28	857218A01A			x		Camicia pompa	External sleeve	Chemise estérieur	Camisa bomba
28	857209C01A				x	Camicia pompa	External sleeve	Chemise estérieur	Camisa bomba
29	159XR6F05	x	x	x	x	Filtro	Filter	Filter	Filtre
30	859LN6PC4	x	x	x	x	Lanterna di raccordo	Motor bracket	Lanterne de raccordement	Soporte motor
31	§	3 HP	4 HP	5.5 HP	7.5 HP	Motore elettrico sommerso da 4" § (vedi scheda ricambi specifica)	4" submersible motors § (see specific spare parts form)	Moteur électrique immergé 4" § (voir fiche de pièces détachées spécifique)	Motor eléctrico sumergido de 4" § (ver ficha de ricambios específicas)

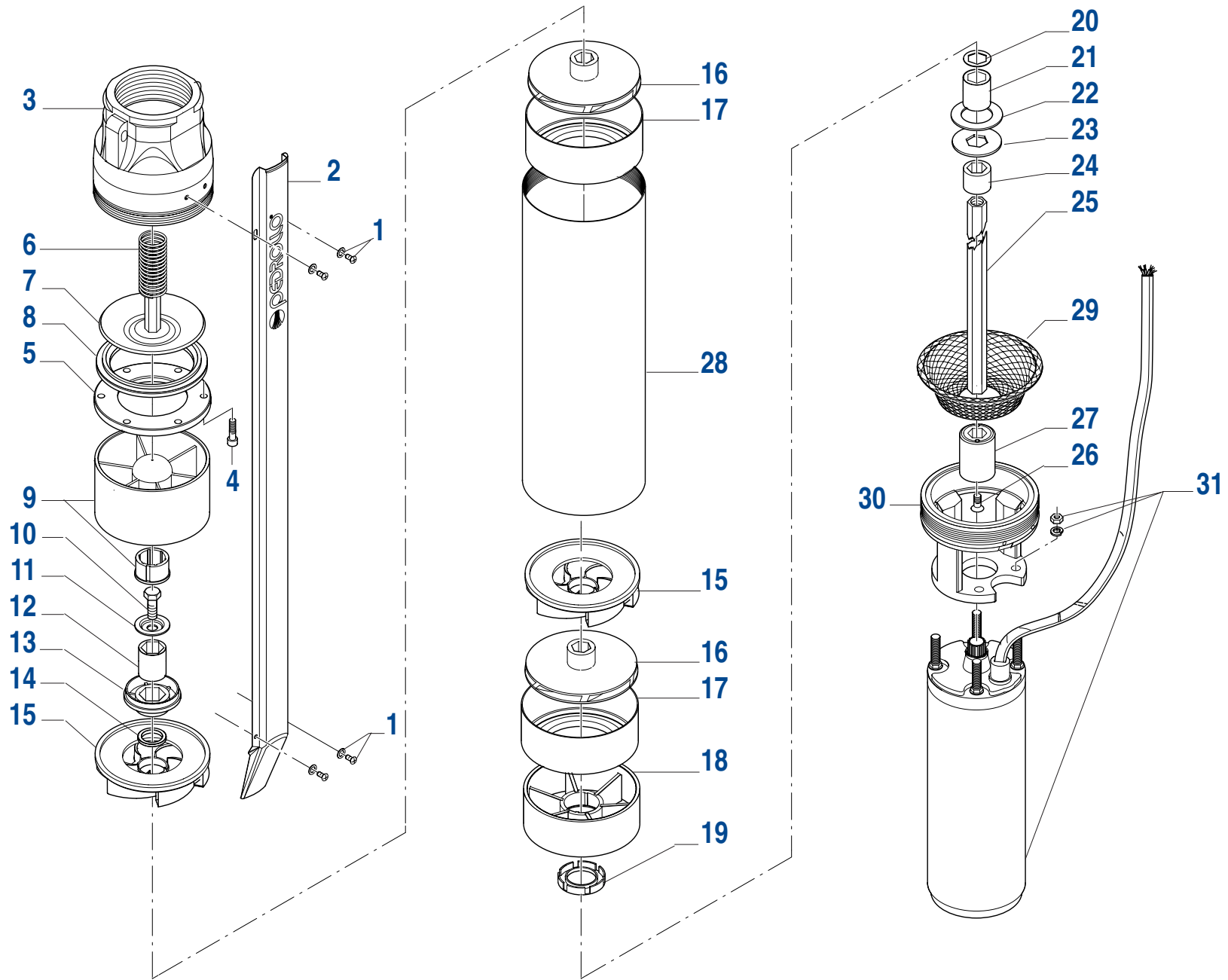
Con riserva di modifiche.  
 Technical modifications reserved.  
 Sous réserve de modification technique.  
 Reservado el derecho a introducir modificaciones.



02.40.02

N°	Codice Code Reference Codigo						Descrizione	Description	Description	Descripción
		6SR9/9 6"	6SR9/12 6"	6SR9/17 6"	6SR9/21 6"	6SR9/24 6"				
1	1160330A	x	x	x	x	x	Vite con rondella	Screw with washer	Vis avec rondelle	Tornillo con arandela
2	857X6S1816	x					Copricavo	Cable guard	Protection de câble	Protector del cable
2	857X6S0921		x				Copricavo	Cable guard	Protection de câble	Protector del cable
2	857X6S0926			x			Copricavo	Cable guard	Protection de câble	Protector del cable
2	857X6S1245				x		Copricavo	Cable guard	Protection de câble	Protector del cable
2	857X6S0931					x	Copricavo	Cable guard	Protection de câble	Protector del cable
3	859CM6PB	x	x	x	x	x	Corpo di mandata	Discharge head	Corps de refoulement	Cuerpo de impulsión
4	1160036	x	x	x	x	x	Vite	Screw	Vis	Tornillo
5	14FL55	x	x	x	x	x	Flangia	Flange	Bride	Brida
6	114010	x	x	x	x	x	Molla	Spring	Ressort	Muelle
7	157XV65SR	x	x	x	x	x	Valvola	Valve	Clapet	Válvula
8	11506151	x	x	x	x	x	Guarnizione	Gasket	Joint	Junta
9	122SS6P1A	x	x	x	x	x	Supporto superiore	Upper bearing	Palier supérieur	Soporte superior
10	1160044	x	x	x	x	x	Vite	Screw	Vis	Tornillo
11	11478266	x	x	x	x	x	Rondella	Washer	Rondelle	Arandela
12	15706S05	x	x	x	x	x	Distanziale	Spacer	Entretoise	Distanciador
13	1216001	x	x	x	x	x	Coperchio	Cover	Couvercle	Tapa
14	11478259	x	x	x	x	x	Rondella	Washer	Rondelle	Arandela
15	121D6SR09N	x	x	x	x	x	Diffusore	Diffuser	Diffuseur	Difusor
16	161GR6SR09P	x	x	x	x	x	Girante	Impeller	Roue	Rodete
17	857XA6R12	x	x	x	x	x	Scatola porta diffusore	Bowl	Boîte diffuseur	Caja porta difusor
18	15706S01		x	x	x	x	Distanziale	Spacer	Entretoise	Distanciador
19	122SI6P0G		x	x	x	x	Supporto intermedio	Intermediate bearing	Palier intermédiaire	Soporte intermedio
20	122SI6P0	x	x	x	x	x	Supporto inferiore	Lower bearing	Palier inférieur	Soporte inferior
21	157X6SR01	x	x	x	x	x	Coperchio	Cover	Couvercle	Tapa
22	11478256	x	x	x	x	x	Rondella	Washer	Rondelle	Arandela
23	15706S05	x	x	x	x	x	Distanziale	Spacer	Entretoise	Distanciador
24	114748	x	x	x	x	x	Rondella	Washer	Rondelle	Arandela
25	11478267	x	x	x	x	x	Rondella	Washer	Rondelle	Arandela
26	15706S15	x	x	x	x	x	Distanziale	Spacer	Entretoise	Distanciador
27	RDC18A01	x					Albero	Shaft	Arbre	Eje
27	RDC09A01		x				Albero	Shaft	Arbre	Eje
27	RDC09B01			x			Albero	Shaft	Arbre	Eje
27	RDC12G01				x		Albero	Shaft	Arbre	Eje
27	RDC09C01					x	Albero	Shaft	Arbre	Eje
28	11604665	x	x	x	x	x	Vite	Screw	Vis	Tornillo
29	162GNR6NL	x	x	x	x	x	Giunto	Coupling	Accouplement	Acoplamiento
30	857218A01A	x					Camicia pompa	External sleeve	Chemise estérieure	Camisa bomba
30	857209C01A		x				Camicia pompa	External sleeve	Chemise estérieure	Camisa bomba
30	857209D01A			x			Camicia pompa	External sleeve	Chemise estérieure	Camisa bomba
30	857212G01A				x		Camicia pompa	External sleeve	Chemise estérieure	Camisa bomba
30	857209E01A					x	Camicia pompa	External sleeve	Chemise estérieure	Camisa bomba
31	159XR6F05	x	x	x	x	x	Filtro	Filter	Filter	Filtre
32	859LN6PB	x	x	x	x	x	Lanterna di raccordo	Motor bracket	Lanterne de raccordement	Soporte motor
33	1160459	x	x	x	x	x	Vite	Screw	Vis	Tornillo
34	1147880	x	x	x	x	x	Rondella	Washer	Rondelle	Arandela
35	§	5.5 HP	7.5 HP	10 HP	12.5 HP	15 HP	Motore elettrico sommerso da 6" § (vedi scheda ricambi specifica)	6" submersible motors § (see specific spare parts form)	Moteur électrique immergé 6" § (voir fiche de pièces détachées spécifique)	Motor eléctrico sumergido de 6" § (ver ficha de ricambios específicas)

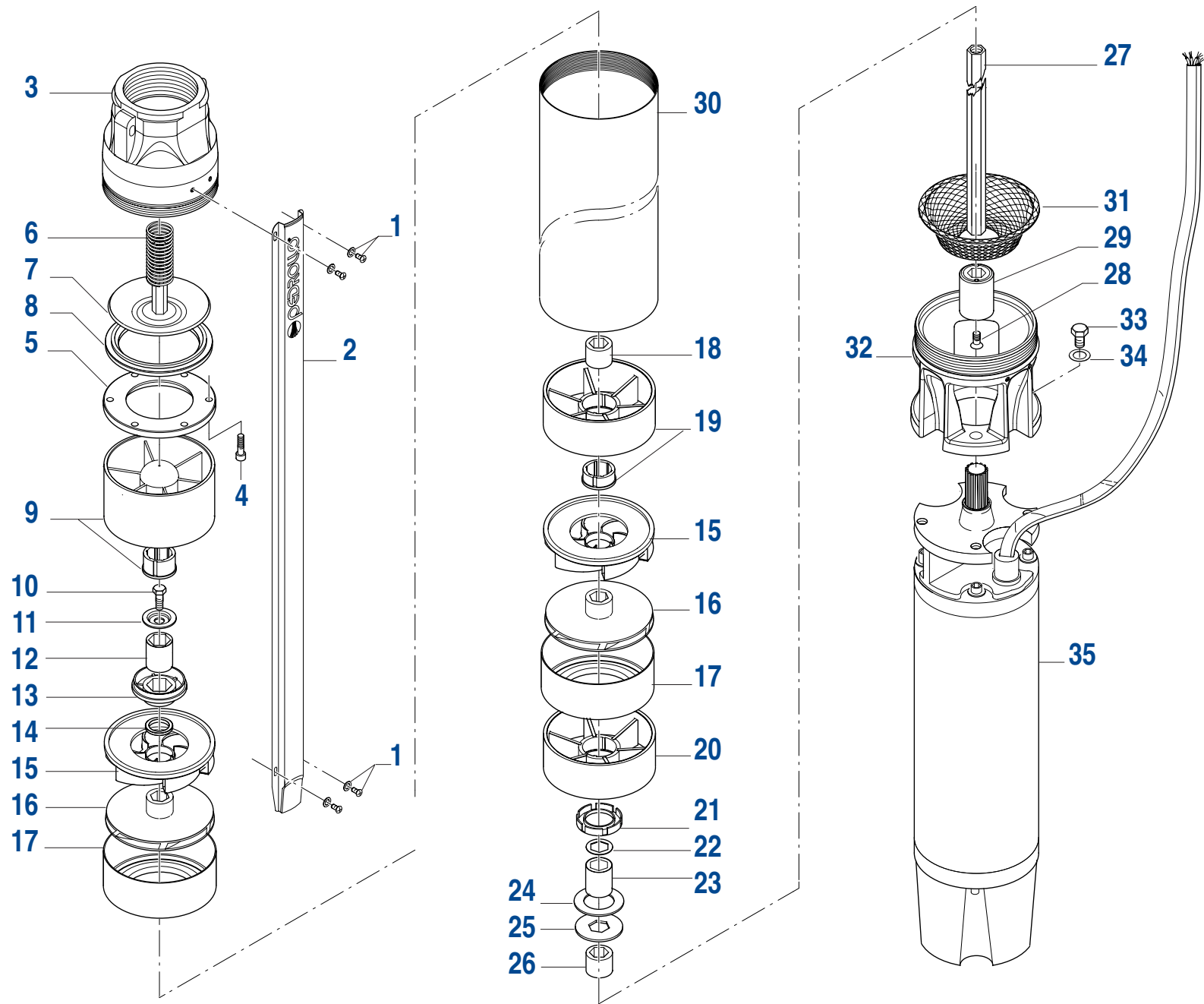
Con riserva di modifiche.  
Technical modifications reserved.  
Sous réserve de modification technique.  
Reservado el derecho a introducir modificaciones.



02.40.02

N°	Codice Code Reference Codigo					Descrizione	Description	Description	Descripción
		6SR12/4 4"	6SR12/6 4"	6SR12/8 4"	6SR12/11 4"				
1	1160330A	x	x	x	x	Vite con rondella	Screw with washer	Vis avec rondelle	Tornillo con arandela
2	857X6S1200	x				Copricavo	Cable guard	Protection de câble	Protector del cable
2	857X6S1205		x			Copricavo	Cable guard	Protection de câble	Protector del cable
2	857X6S1210			x		Copricavo	Cable guard	Protection de câble	Protector del cable
2	857X6S1215				x	Copricavo	Cable guard	Protection de câble	Protector del cable
3	859CM6PB	x	x	x	x	Corpo di mandata	Discharge head	Corps de refoulement	Cuerpo de impulsión
4	1160036	x	x	x	x	Vite	Screw	Vis	Tornillo
5	14FL55	x	x	x	x	Flangia	Flange	Bride	Brida
6	114010	x	x	x	x	Molla	Spring	Ressort	Muelle
7	157XV65SR	x	x	x	x	Valvola	Valve	Clapet	Válvula
8	11506151	x	x	x	x	Guarnizione	Gasket	Joint	Junta
9	122SS6P1A	x	x	x	x	Supporto superiore	Upper bearing	Palier superieur	Soporte superior
10	1160044	x	x	x	x	Vite	Screw	Vis	Tornillo
11	11478266	x	x	x	x	Rondella	Washer	Rondelle	Arandela
12	15706S05	x	x	x	x	Distanziale	Spacer	Entretoise	Distanciador
13	1216001	x	x	x	x	Coperchio	Cover	Couvercle	Tapa
14	11478259	x	x	x	x	Rondella	Washer	Rondelle	Arandela
15	121D6SR18N	x	x	x	x	Diffusore	Diffuser	Diffuseur	Difusor
16	161GR6SR12	x	x	x	x	Girante	Impeller	Roue	Rodete
17	857XA6R12	x	x	x	x	Scatola porta diffusore	Bowl	Boîte diffuseur	Caja porta difusor
18	122SI6P0	x	x	x	x	Supporto inferiore	Lower bearing	Palier inferieur	Soporte inferior
19	157X6SR01	x	x	x	x	Coperchio	Cover	Couvercle	Tapa
20	11478256	x	x	x	x	Rondella	Washer	Rondelle	Arandela
21	15706S05	x	x	x	x	Distanziale	Spacer	Entretoise	Distanciador
22	114748	x	x	x	x	Rondella	Washer	Rondelle	Arandela
23	11478267	x	x	x	x	Rondella	Washer	Rondelle	Arandela
24	15706S10	x	x	x	x	Distanziale	Spacer	Entretoise	Distanciador
25	RDC11A01	x				Albero	Shaft	Arbre	Eje
25	RDC11B01		x			Albero	Shaft	Arbre	Eje
25	RDC11C01			x		Albero	Shaft	Arbre	Eje
25	RDC11D01				x	Albero	Shaft	Arbre	Eje
26	11604663	x	x	x	x	Vite	Screw	Vis	Tornillo
27	162GNR6N4	x	x	x	x	Giunto	Coupling	Accouplement	Acoplamiento
28	857212A01A	x				Camicia pompa	External sleeve	Chemise estérieure	Camisa bomba
28	857212B01A		x			Camicia pompa	External sleeve	Chemise estérieure	Camisa bomba
28	857212C01A			x		Camicia pompa	External sleeve	Chemise estérieure	Camisa bomba
28	857212D01A				x	Camicia pompa	External sleeve	Chemise estérieure	Camisa bomba
29	159XR6F05	x	x	x	x	Filtro	Filter	Filter	Filtre
30	859LN6PC4	x	x	x	x	Lanterna di raccordo	Motor bracket	Lanterne de raccordement	Soporte motor
31	§	3 HP	4 HP	5.5 HP	7.5 HP	Motore elettrico sommerso da 4" § (vedi scheda ricambi specifica)	4" submersible motors § (see specific spare parts form)	Moteur électrique immergé 4" § (voir fiche de pièces détachées spécifique)	Motor eléctrico sumergido de 4" § (ver ficha de ricambios específicas)

Con riserva di modifiche.  
Technical modifications reserved.  
Sous réserve de modification technique.  
Reservado el derecho a introducir modificaciones.

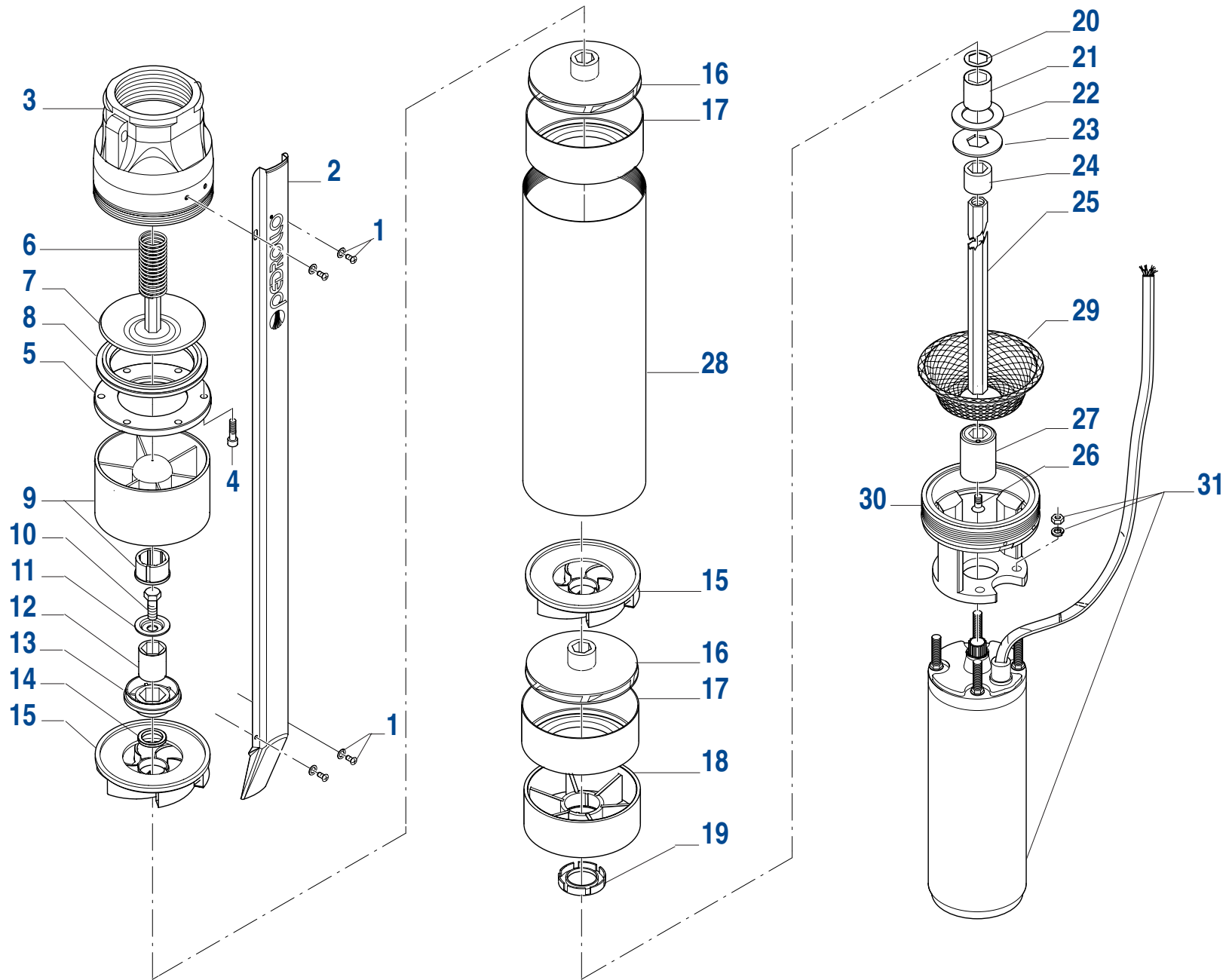


02.40.02



N°	Codice Code Reference Codigo	6SR12/8 6"	6SR12/11 6"	6SR12/15 6"	6SR12/18 6"	6SR12/21 6"	6SR12/25 6"	6SR12/28 6"	Descrizione	Description	Description	Descripción
1	1160330A	x	x	x	x	x	x	x	Vite con rondella	Screw with washer	Vis avec rondelle	Tornillo con arandela
2	857X6S1225	x							Copricavo	Cable guard	Protection de câble	Protector del cable
2	857X6S1230		x						Copricavo	Cable guard	Protection de câble	Protector del cable
2	857X6S1235			x					Copricavo	Cable guard	Protection de câble	Protector del cable
2	857X6S1240				x				Copricavo	Cable guard	Protection de câble	Protector del cable
2	857X6S1245					x			Copricavo	Cable guard	Protection de câble	Protector del cable
2	857X6S1248						x		Copricavo	Cable guard	Protection de câble	Protector del cable
2	857X6S1250							x	Copricavo	Cable guard	Protection de câble	Protector del cable
3	859CM6PB	x	x	x	x	x	x	x	Corpo di mandata	Discharge head	Corps de refoulement	Cuerpo de impulsión
4	1160036	x	x	x	x	x	x	x	Vite	Screw	Vis	Tornillo
5	14FL55	x	x	x	x	x	x	x	Flangia	Flange	Bride	Brida
6	114010	x	x	x	x	x	x	x	Molla	Spring	Ressort	Muelle
7	157XV6SSR	x	x	x	x	x	x	x	Valvola	Valve	Clapet	Válvula
8	11506151	x	x	x	x	x	x	x	Guarnizione	Gasket	Joint	Junta
9	122SS6P1A	x	x	x	x	x	x	x	Supporto superiore	Upper bearing	Palier supérieur	Soporte superior
10	1160044	x	x	x	x	x	x	x	Vite	Screw	Vis	Tornillo
11	11478266	x	x	x	x	x	x	x	Rondella	Washer	Rondelle	Arandela
12	15706S05	x	x	x	x	x	x	x	Distanziale	Spacer	Entretoise	Distanciadador
13	1216001	x	x	x	x	x	x	x	Coperchio	Cover	Couvercle	Tapa
14	11478259	x	x	x	x	x	x	x	Rondella	Washer	Rondelle	Arandela
15	121D6SR18N	x	x	x	x	x	x	x	Diffusore	Diffuser	Diffuseur	Difusor
16	161GR6SR12	x	x	x	x	x	x	x	Girante	Impeller	Roue	Rodete
17	857XA6R12	x	x	x	x	x	x	x	Scatola porta diffusore	Bowl	Boîte diffuseur	Caja porta difusor
18	15706S01			x	x	x	x	x	Distanziale	Spacer	Entretoise	Distanciadador
19	122SI6P0G			x	x	x	x	x	Supporto intermedio	Intermediate bearing	Palier intermédiaire	Soporte intermedio
20	122SI6P0	x	x	x	x	x	x	x	Supporto inferiore	Lower bearing	Palier inférieur	Soporte inferior
21	157X6SR01	x	x	x	x	x	x	x	Coperchio	Cover	Couvercle	Tapa
22	11478256	x	x	x	x	x	x	x	Rondella	Washer	Rondelle	Arandela
23	15706S05	x	x	x	x	x	x	x	Distanziale	Spacer	Entretoise	Distanciadador
24	114748	x	x	x	x	x	x	x	Rondella	Washer	Rondelle	Arandela
25	11478267	x	x	x	x	x	x	x	Rondella	Washer	Rondelle	Arandela
26	15706S15	x	x	x	x	x	x	x	Distanziale	Spacer	Entretoise	Distanciadador
27	RDC11C01	x							Albero	Shaft	Arbre	Eje
27	RDC11D01		x						Albero	Shaft	Arbre	Eje
27	RDC12E01			x					Albero	Shaft	Arbre	Eje
27	RDC12F01				x				Albero	Shaft	Arbre	Eje
27	RDC12G01					x			Albero	Shaft	Arbre	Eje
27	RDC12G05						x		Albero	Shaft	Arbre	Eje
27	RDC12H01							x	Albero	Shaft	Arbre	Eje
28	11604665	x	x	x	x	x	x	x	Vite	Screw	Vis	Tornillo
29	162GNR6NL	x	x	x	x	x	x	x	Giunto	Coupling	Accouplement	Acoplamiento
30	857212C01A	x							Camicia pompa	External sleeve	Chemise estérieur	Camisa bomba
30	857212D01A		x						Camicia pompa	External sleeve	Chemise estérieur	Camisa bomba
30	857212E01A			x					Camicia pompa	External sleeve	Chemise estérieur	Camisa bomba
30	857212F01A				x				Camicia pompa	External sleeve	Chemise estérieur	Camisa bomba
30	857212G01A					x			Camicia pompa	External sleeve	Chemise estérieur	Camisa bomba
30	857212G05A						x		Camicia pompa	External sleeve	Chemise estérieur	Camisa bomba
30	857212H01A							x	Camicia pompa	External sleeve	Chemise estérieur	Camisa bomba
31	159XR6F05	x	x	x	x	x	x	x	Filtro	Filtro	Filter	Filtre
32	859LN6PB	x	x	x	x	x	x	x	Lanterna di raccordo	Motor bracket	Lanterne de raccordement	Soporte motor
33	1160459	x	x	x	x	x	x	x	Vite	Screw	Vis	Tornillo
34	1147880	x	x	x	x	x	x	x	Rondella	Washer	Rondelle	Arandela
35	§	5.5 HP	7.5 HP	10 HP	12.5 HP	15 HP	17.5 HP	20 HP	Motore elettrico sommerso da 6"	6" submersible motors	Moteur électrique immergé 6"	Motor eléctrico sumergido de 6"
									§ (vedi scheda ricambi specifica)	§ (see specific spare parts form)	§ (voir fiche de pièces détachées spécifique)	§ (ver ficha de recambios específicas)

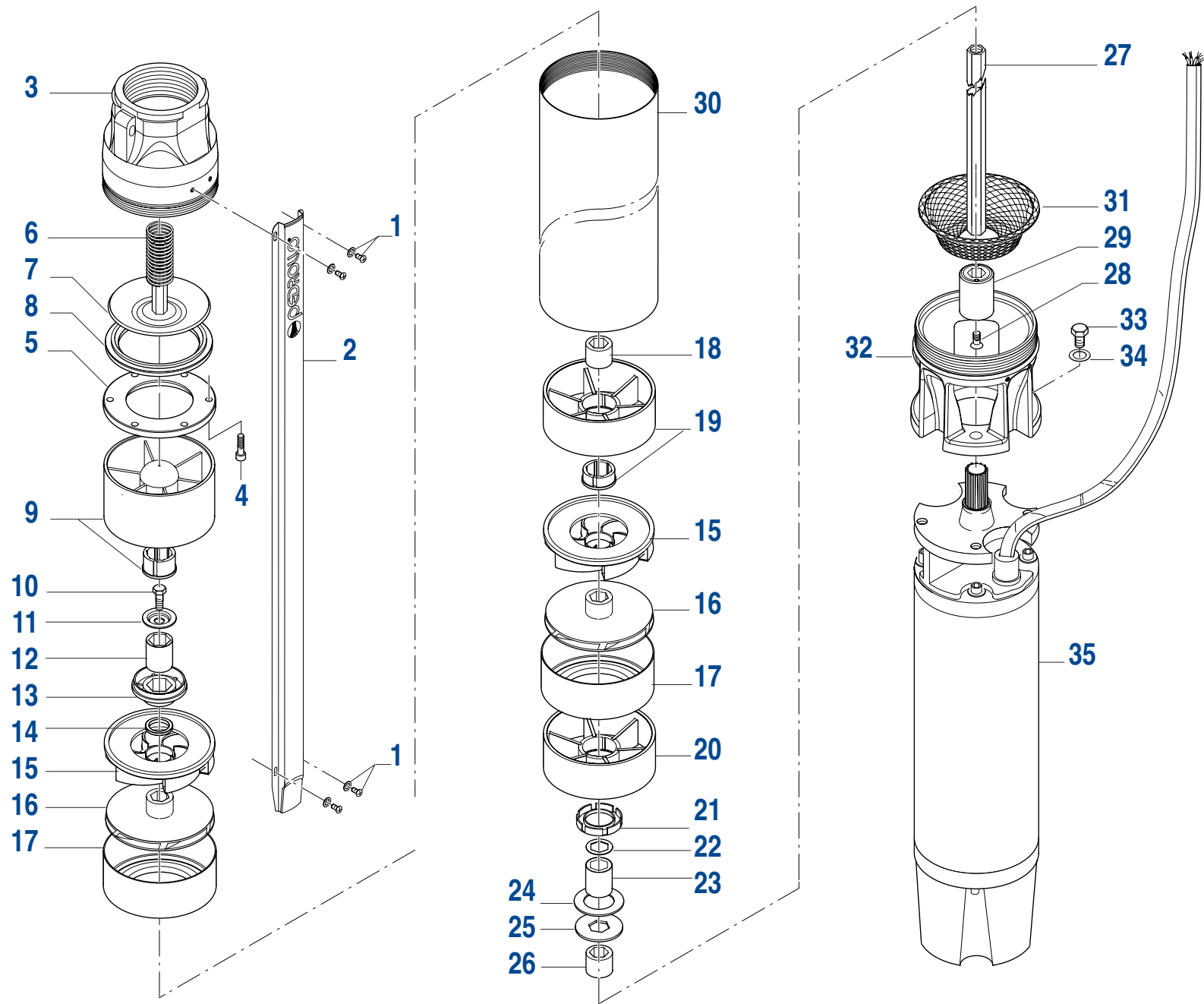
Con riserva di modifiche.  
 Technical modifications reserved.  
 Sous réserve de modification technique.  
 Reservado el derecho a introducir modificaciones.



02.40.02

N°	Codice Code Reference Codigo	6SR18/4 4"	6SR18/6 4"	Descrizione	Description	Description	Descripción
1	1160330A	x	x	Vite con rondella	Screw with washer	Vis avec rondelle	Tornillo con arandela
2	857X6S1200	x		Copricavo	Cable guard	Protection de câble	Protector del cable
2	857X6S1205	x	x	Copricavo	Cable guard	Protection de câble	Protector del cable
3	859CM6PB	x	x	Corpo di mandata	Discharge head	Corps de refoulement	Cuerpo de impulsión
4	1160036	x	x	Vite	Screw	Vis	Tornillo
5	14FL55	x	x	Flangia	Flange	Bride	Brida
6	114010	x	x	Molla	Spring	Ressort	Muelle
7	157XV65SR	x	x	Valvola	Valve	Clapet	Válvula
8	11506151	x	x	Guarnizione	Gasket	Joint	Junta
9	122SS6P1A	x	x	Supporto superiore	Upper bearing	Palier superieur	Soporte superior
10	1160044	x	x	Vite	Screw	Vis	Tornillo
11	11478266	x	x	Rondella	Washer	Rondelle	Arandela
12	15706S05	x	x	Distanziale	Spacer	Entretoise	Distanciador
13	1216001	x	x	Coperchio	Cover	Couvercle	Tapa
14	11478259	x	x	Rondella	Washer	Rondelle	Arandela
15	121D6SR18N	x	x	Diffusore	Diffuser	Diffuseur	Difusor
16	161GR6SR18P	x	x	Girante	Impeller	Roue	Rodete
17	857XA6R12	x	x	Scatola porta diffusore	Bowl	Boîte diffuseur	Caja porta difusor
18	122SI6P0	x	x	Supporto inferiore	Lower bearing	Palier inferieur	Soporte inferior
19	157X6SR01	x	x	Coperchio	Cover	Couvercle	Tapa
20	11478256	x	x	Rondella	Washer	Rondelle	Arandela
21	15706S05	x	x	Distanziale	Spacer	Entretoise	Distanciador
22	114748	x	x	Rondella	Washer	Rondelle	Arandela
23	11478267	x	x	Rondella	Washer	Rondelle	Arandela
24	15706S10	x	x	Distanziale	Spacer	Entretoise	Distanciador
25	RDC11A01	x		Albero	Shaft	Arbre	Eje
25	RDC11B01	x		Albero	Shaft	Arbre	Eje
26	11604663	x	x	Vite	Screw	Vis	Tornillo
27	162GNR6N4	x	x	Giunto	Coupling	Accouplement	Acoplamiento
28	857212A01A	x		Camicia pompa	External sleeve	Chemise estérieur	Camisa bomba
28	857212B01A	x	x	Camicia pompa	External sleeve	Chemise estérieur	Camisa bomba
29	159XR6F05	x	x	Filtro	Filter	Filter	Filtre
30	859LN6PC4	x	x	Lanterna di raccordo	Motor bracket	Lanterne de raccordement	Soporte motor
31	§	5.5 HP	7.5 HP	Motore elettrico sommerso da 4" § (vedi scheda ricambi specifica)	4" submersible motors § (see specific spare parts form)	Moteur électrique immergé 4" § (voir fiche de pièces détachées spécifique)	Motor eléctrico sumergido de 4" § (ver ficha de ricambios específicas)

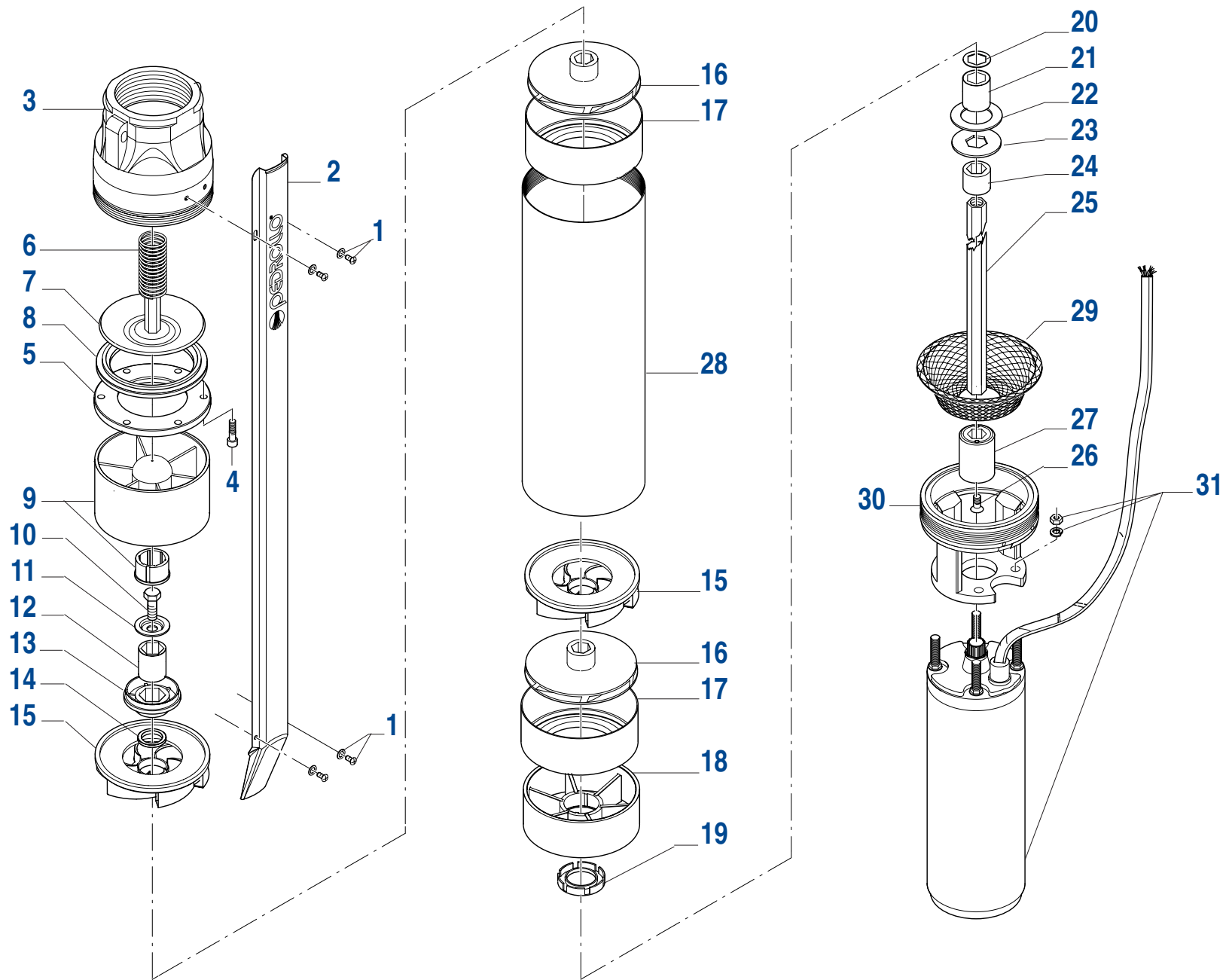
Con riserva di modifiche.  
Technical modifications reserved.  
Sous réserve de modification technique.  
Reservado el derecho a introducir modificaciones.



02.40.02

N°	Codice Code Reference Reference Codigno	Codice										Descrizione	Description	Description	Descripción
		6SR18/4 6"	6SR18/6 6"	6SR18/9 6"	6SR18/11 6"	6SR18/13 6"	6SR18/15 6"	6SR18/18 6"	6SR18/22 6"	6SR18/26 6"					
1	1160330A	x	x	x	x	x	x	x	x	x	x	Vite con rondella	Screw with washer	Vis avec rondelle	Tornillo con arandela
2	857X6S1805	x										Copricavo	Cable guard	Protection de câble	Protector del cable
2	857X6S1810		x									Copricavo	Cable guard	Protection de câble	Protector del cable
2	857X6S1816			x								Copricavo	Cable guard	Protection de câble	Protector del cable
2	857X6S1230				x							Copricavo	Cable guard	Protection de câble	Protector del cable
2	857X6S1822					x						Copricavo	Cable guard	Protection de câble	Protector del cable
2	857X6S1235									x		Copricavo	Cable guard	Protection de câble	Protector del cable
2	857X6S1240										x	Copricavo	Cable guard	Protection de câble	Protector del cable
2	857X6S1826										x	Copricavo	Cable guard	Protection de câble	Protector del cable
2	857X6S1832											Copricavo	Cable guard	Protection de câble	Protector del cable
3	859CM6PB	x	x	x	x	x	x	x	x	x	x	Corpo di mandata	Discharge head	Corps de refoulement	Cuerpo de impulsión
4	1160036	x	x	x	x	x	x	x	x	x	x	Vite	Screw	Vis	Tornillo
5	14FL55	x	x	x	x	x	x	x	x	x	x	Flangia	Flange	Bride	Brida
6	114010	x	x	x	x	x	x	x	x	x	x	Molla	Spring	Ressort	Muelle
7	157XV65SR	x	x	x	x	x	x	x	x	x	x	Valvola	Valve	Clapet	Válvula
8	11506151	x	x	x	x	x	x	x	x	x	x	Guarnizione	Gasket	Joint	Junta
9	122SS6P1A	x	x	x	x	x	x	x	x	x	x	Supporto superiore	Upper bearing	Palier superieur	Soporte superior
10	1160044	x	x	x	x	x	x	x	x	x	x	Vite	Screw	Vis	Tornillo
11	11478266	x	x	x	x	x	x	x	x	x	x	Rondella	Washer	Rondelle	Arandela
12	15706S05	x	x	x	x	x	x	x	x	x	x	Distanziale	Spacer	Entretoise	Distanciador
13	1216001	x	x	x	x	x	x	x	x	x	x	Coperchio	Cover	Couvercle	Tapa
14	11478259	x	x	x	x	x	x	x	x	x	x	Rondella	Washer	Rondelle	Arandela
15	121D6SR18N	x	x	x	x	x	x	x	x	x	x	Diffusore	Diffuser	Diffuseur	Difusor
16	161GR6SR18P	x	x	x	x	x	x	x	x	x	x	Girante	Impeller	Roue	Rodete
17	857XA6R12	x	x	x	x	x	x	x	x	x	x	Scatola porta diffusore	Bowl	Boîte diffuseur	Caja porta difusor
18	15706S01						x	x	x	x	x	Distanziale	Spacer	Entretoise	Distanciador
19	122SI6P0G						x	x	x	x	x	Supporto intermedio	Intermediate bearing	Palier intermediaire	Soporte intermedio
20	122SI6P0	x	x	x	x	x	x	x	x	x	x	Supporto inferiore	Lower bearing	Palier inferieur	Soporte inferior
21	157X6SR01	x	x	x	x	x	x	x	x	x	x	Coperchio	Cover	Couvercle	Tapa
22	11478256	x	x	x	x	x	x	x	x	x	x	Rondella	Washer	Rondelle	Arandela
23	15706S05	x	x	x	x	x	x	x	x	x	x	Distanziale	Spacer	Entretoise	Distanciador
24	114748	x	x	x	x	x	x	x	x	x	x	Rondella	Washer	Rondelle	Arandela
25	11478267	x	x	x	x	x	x	x	x	x	x	Rondella	Washer	Rondelle	Arandela
26	15706S15	x	x	x	x	x	x	x	x	x	x	Distanziale	Spacer	Entretoise	Distanciador
27	RDC12A01	x										Albero	Shaft	Arbre	Eje
27	RDC12B01		x									Albero	Shaft	Arbre	Eje
27	RDC18A01			x								Albero	Shaft	Arbre	Eje
27	RDC18B01				x							Albero	Shaft	Arbre	Eje
27	RDC18C01					x						Albero	Shaft	Arbre	Eje
27	RDC12E01									x		Albero	Shaft	Arbre	Eje
27	RDC12F01										x	Albero	Shaft	Arbre	Eje
27	RDC18D01										x	Albero	Shaft	Arbre	Eje
27	RDC18E01											Albero	Shaft	Arbre	Eje
28	11604665	x	x	x	x	x	x	x	x	x	x	Vite	Screw	Vis	Tornillo
29	162GNR6NL	x	x	x	x	x	x	x	x	x	x	Giunto	Coupling	Accouplement	Acoplamiento
30	857212A01A	x										Camicia pompa	External sleeve	Chemise esterieur	Camisa bomba
30	857212B01A		x									Camicia pompa	External sleeve	Chemise esterieur	Camisa bomba
30	857218A01A			x								Camicia pompa	External sleeve	Chemise esterieur	Camisa bomba
30	857212D01A				x							Camicia pompa	External sleeve	Chemise esterieur	Camisa bomba
30	857218B01A					x						Camicia pompa	External sleeve	Chemise esterieur	Camisa bomba
30	857212E01A									x		Camicia pompa	External sleeve	Chemise esterieur	Camisa bomba
30	857212E01A										x	Camicia pompa	External sleeve	Chemise esterieur	Camisa bomba
30	857218C01A										x	Camicia pompa	External sleeve	Chemise esterieur	Camisa bomba
30	857218D01A											Camicia pompa	External sleeve	Chemise esterieur	Camisa bomba
31	159XR6F05	x	x	x	x	x	x	x	x	x	x	Filtro	Filter	Filter	Filtre
32	859LN6PB	x	x	x	x	x	x	x	x	x	x	Lanterna di raccordo	Motor bracket	Lanterne de raccordement	Soporte motor
33	1160459	x	x	x	x	x	x	x	x	x	x	Vite	Screw	Vis	Tornillo
34	1147880	x	x	x	x	x	x	x	x	x	x	Rondella	Washer	Rondelle	Arandela
35		§	5.0 HP	7.5 HP	10 HP	12.5 HP	15 HP	17.5 HP	20 HP	25 HP	30 HP	Motore elettrico sommerso da 6"	6" submersible motors	Moteur électrique immergé 6"	Motor eléctrico sumergido de 6"
												§ (vedi scheda ricambi specifica)	§ (see specific spare parts form)	§ (voir fiche de pièces détachées spécifique)	§ (ver ficha de ricambios específicas)

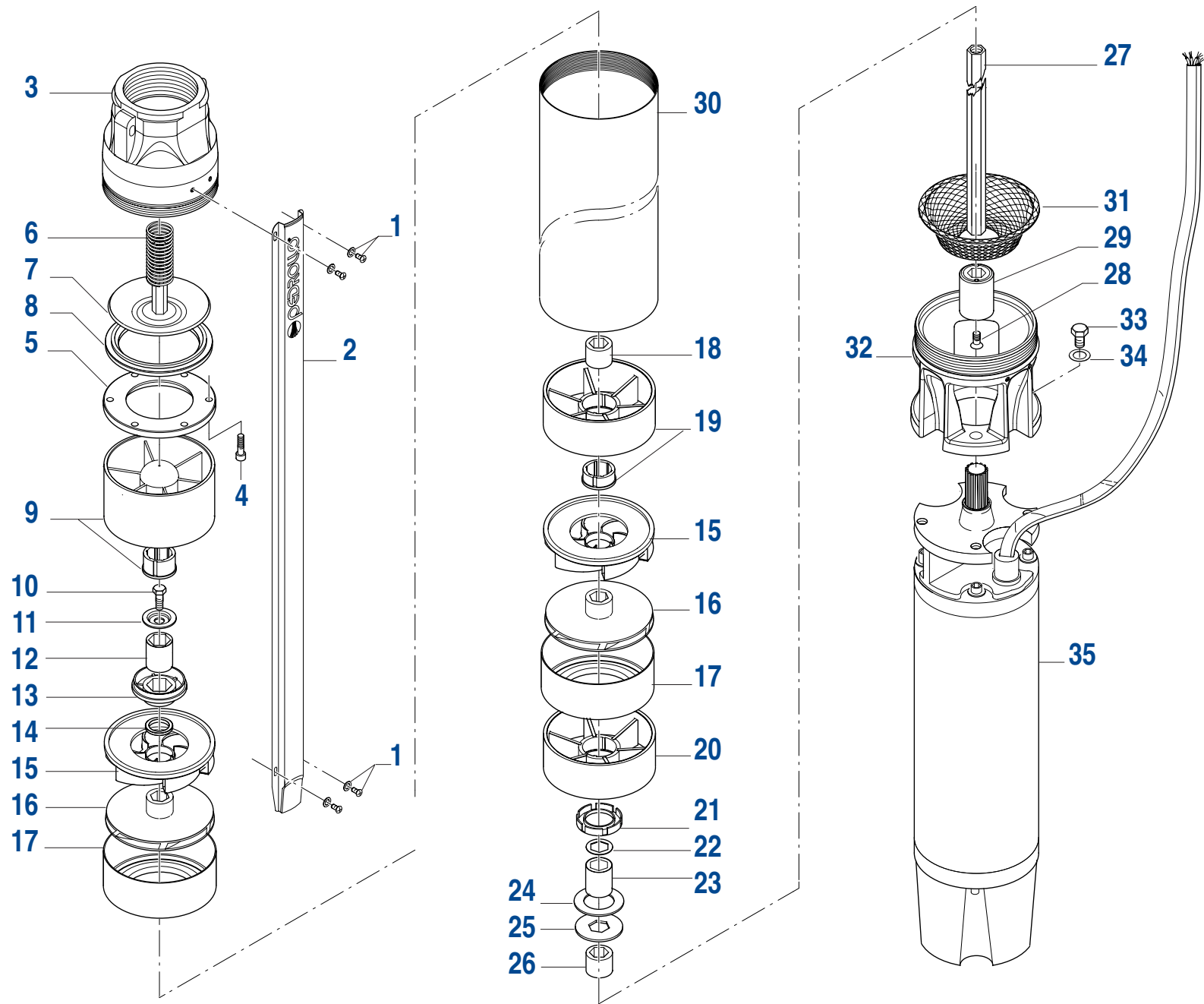
Con riserva di modifiche.  
 Technical modifications reserved.  
 Sous réserve de modification technique.  
 Reservado el derecho a introducir modificaciones.



02.40.02

N°	Codice Code Reference Codigo	6SR27/5 4"	Descrizione	Description	Description	Descripción
1	1160330A	x	Vite con rondella	Screw with washer	Vis avec rondelle	Tornillo con arandela
2	857X6S2700	x	Copricavo	Cable guard	Protection de câble	Protector del cable
3	859CM6PB	x	Corpo di mandata	Discharge head	Corps de refoulement	Cuerpo de impulsión
4	1160036	x	Vite	Screw	Vis	Tornillo
5	14FL55	x	Flangia	Flange	Bride	Brida
6	114010	x	Molla	Spring	Ressort	Muelle
7	157XV65SR	x	Valvola	Valve	Clapet	Válvula
8	11506151	x	Guarnizione	Gasket	Joint	Junta
9	122SS6P1A	x	Supporto superiore	Upper bearing	Palier superieur	Soporte superior
10	1160044	x	Vite	Screw	Vis	Tornillo
11	11478266	x	Rondella	Washer	Rondelle	Arandela
12	15706S05	x	Distanziale	Spacer	Entretoise	Distanciador
13	1216001	x	Coperchio	Cover	Couvercle	Tapa
14	11478259	x	Rondella	Washer	Rondelle	Arandela
15	121D6SR27	x	Diffusore	Diffuser	Diffuseur	Difusor
16	161GR6SR27	x	Girante	Impeller	Roue	Rodete
17	857XA6R27	x	Scatola porta diffusore	Bowl	Boîte diffuseur	Caja porta difusor
18	122SI6P0	x	Supporto inferiore	Lower bearing	Palier inferieur	Soporte inferior
19	157X6SR01	x	Coperchio	Cover	Couvercle	Tapa
20	11478256	x	Rondella	Washer	Rondelle	Arandela
21	15706S05	x	Distanziale	Spacer	Entretoise	Distanciador
22	114748	x	Rondella	Washer	Rondelle	Arandela
23	11478267	x	Rondella	Washer	Rondelle	Arandela
24	15706S10	x	Distanziale	Spacer	Entretoise	Distanciador
25	RDC26A01	x	Albero	Shaft	Arbre	Eje
26	11604663	x	Vite	Screw	Vis	Tornillo
27	162GNR6N4	x	Giunto	Coupling	Accouplement	Acoplamiento
28	857227A01A	x	Camicia pompa	External sleeve	Chemise estérieur	Camisa bomba
29	159XR6F05	x	Filtro	Filter	Filter	Filtre
30	859LN6PC4	x	Lanterna di raccordo	Motor bracket	Lanterne de raccordement	Soporte motor
31	§	7.5 HP	Motore elettrico sommerso da 4" § (vedi scheda ricambi specifica)	4" submersible motors § (see specific spare parts form)	Moteur électrique immergé 4" § (voir fiche de pièces détachées spécifique)	Motor eléctrico sumergido de 4" § (ver ficha de ricambios específicas)

Con riserva di modifiche.  
 Technical modifications reserved.  
 Sous réserve de modification technique.  
 Reservado el derecho a introducir modificaciones.



02.40.02



N°	Codice Code Reference Codigo	Codice										Descrizione	Description	Description	Descripción
		6SR27/5 6"	6SR27/7 6"	6SR27/8 6"	6SR27/10 6"	6SR27/12 6"	6SR27/14 6"	6SR27/17 6"	6SR27/20 6"	6SR27/27 6"					
1	1160330A	x	x	x	x	x	x	x	x	x	x	Vite con rondella	Screw with washer	Vis avec rondelle	Tornillo con arandela
2	857X6S2710	x										Copricavo	Cable guard	Protection de câble	Protector del cable
2	857X6S2715		x									Copricavo	Cable guard	Protection de câble	Protector del cable
2	857X6S2720			x								Copricavo	Cable guard	Protection de câble	Protector del cable
2	857X6S2725				x							Copricavo	Cable guard	Protection de câble	Protector del cable
2	857X6S2730					x						Copricavo	Cable guard	Protection de câble	Protector del cable
2	857X6S2735						x					Copricavo	Cable guard	Protection de câble	Protector del cable
2	857X6S2740							x				Copricavo	Cable guard	Protection de câble	Protector del cable
2	857X6S2745								x			Copricavo	Cable guard	Protection de câble	Protector del cable
2	857X6S2750									x		Copricavo	Cable guard	Protection de câble	Protector del cable
3	859CM6PB	x	x	x	x	x	x	x	x	x	x	Corpo di mandata	Discharge head	Corps de refoulement	Cuerpo de impulsión
4	1160036	x	x	x	x	x	x	x	x	x	x	Vite	Screw	Vis	Tornillo
5	14FL55	x	x	x	x	x	x	x	x	x	x	Flangia	Flange	Bride	Brida
6	114010	x	x	x	x	x	x	x	x	x	x	Molla	Spring	Ressort	Muelle
7	157XV65SR	x	x	x	x	x	x	x	x	x	x	Valvola	Valve	Clapet	Válvula
8	11506151	x	x	x	x	x	x	x	x	x	x	Guarnizione	Gasket	Joint	Junta
9	122SS6P1A	x	x	x	x	x	x	x	x	x	x	Supporto superiore	Upper bearing	Palier superieur	Soporte superior
10	1160044	x	x	x	x	x	x	x	x	x	x	Vite	Screw	Vis	Tornillo
11	11478266	x	x	x	x	x	x	x	x	x	x	Rondella	Washer	Rondelle	Arandela
12	15706S05	x	x	x	x	x	x	x	x	x	x	Distanziale	Spacer	Entretoise	Distanciador
13	1216001	x	x	x	x	x	x	x	x	x	x	Coperchio	Cover	Couvercle	Tapa
14	11478259	x	x	x	x	x	x	x	x	x	x	Rondella	Washer	Rondelle	Arandela
15	121D6SR27N	x	x	x	x	x	x	x	x	x	x	Diffusore	Diffuser	Diffuseur	Difusor
16	161GR6SR27	x	x	x	x	x	x	x	x	x	x	Girante	Impeller	Roue	Rodete
17	857XA6R27	x	x	x	x	x	x	x	x	x	x	Scatola porta diffusore	Bowl	Boîte diffuseur	Caja porta difusor
18	15706S01					x	x	x	x	x	x	Distanziale	Spacer	Entretoise	Distanciador
19	122SI6POG					x	x	x	x	x	x	Supporto intermedio	Intermediate bearing	Palier intermediaire	Soporte intermedio
20	122SI6P0	x	x	x	x	x	x	x	x	x	x	Supporto inferiore	Lower bearing	Palier inferieur	Soporte inferior
21	157X6SR01	x	x	x	x	x	x	x	x	x	x	Coperchio	Cover	Couvercle	Tapa
22	11478256	x	x	x	x	x	x	x	x	x	x	Rondella	Washer	Rondelle	Arandela
23	15706S05	x	x	x	x	x	x	x	x	x	x	Distanziale	Spacer	Entretoise	Distanciador
24	114748	x	x	x	x	x	x	x	x	x	x	Rondella	Washer	Rondelle	Arandela
25	11478267	x	x	x	x	x	x	x	x	x	x	Rondella	Washer	Rondelle	Arandela
26	15706S15	x	x	x	x	x	x	x	x	x	x	Distanziale	Spacer	Entretoise	Distanciador
27	RDC27A01	x										Albero	Shaft	Arbre	Eje
27	RDC27B01		x									Albero	Shaft	Arbre	Eje
27	RDC27C01			x								Albero	Shaft	Arbre	Eje
27	RDC27D01				x							Albero	Shaft	Arbre	Eje
27	RDC27E01					x						Albero	Shaft	Arbre	Eje
27	RDC27F01						x					Albero	Shaft	Arbre	Eje
27	RDC27G01							x				Albero	Shaft	Arbre	Eje
27	RDC27H01								x			Albero	Shaft	Arbre	Eje
27	RDC27I01									x		Albero	Shaft	Arbre	Eje
28	11604665	x	x	x	x	x	x	x	x	x	x	Vite	Screw	Vis	Tornillo
29	162GNR6NL	x	x	x	x	x	x	x	x	x	x	Giunto	Coupling	Accouplement	Acoplamiento
30	857227A01A	x										Camicia pompa	External sleeve	Chemise esterieur	Camisa bomba
30	857227B01A		x									Camicia pompa	External sleeve	Chemise esterieur	Camisa bomba
30	857227C01A			x								Camicia pompa	External sleeve	Chemise esterieur	Camisa bomba
30	857227D01A				x							Camicia pompa	External sleeve	Chemise esterieur	Camisa bomba
30	857227E01A					x						Camicia pompa	External sleeve	Chemise esterieur	Camisa bomba
30	857227F01A						x					Camicia pompa	External sleeve	Chemise esterieur	Camisa bomba
30	857227G01A							x				Camicia pompa	External sleeve	Chemise esterieur	Camisa bomba
30	857227H01A								x			Camicia pompa	External sleeve	Chemise esterieur	Camisa bomba
30	857227I01A									x		Camicia pompa	External sleeve	Chemise esterieur	Camisa bomba
31	159XR6F05	x	x	x	x	x	x	x	x	x	x	Filtro	Filter	Filter	Filtre
32	859LN6PB	x	x	x	x	x	x	x	x	x	x	Lanterna di raccordo	Motor bracket	Lanterne de raccordement	Soporte motor
33	1160459	x	x	x	x	x	x	x	x	x	x	Vite	Screw	Vis	Tornillo
34	1147880	x	x	x	x	x	x	x	x	x	x	Rondella	Washer	Rondelle	Arandela
35	§	7.5 HP	10 HP	12.5 HP	15 HP	17.5 HP	20 HP	25 HP	30 HP	40 HP		Motore elettrico sommerso da 6"	6" submersible motors	Moteur électrique immergé 6"	Motor eléctrico sumergido de 6"
												§ (vedi scheda ricambi specifica)	§ (see specific spare parts form)	§ (voir fiche de pièces détachées spécifique)	§ (ver ficha de ricambios específicas)

Con riserva di modifiche.  
 Technical modifications reserved.  
 Sous réserve de modification technique.  
 Reservado el derecho a introducir modificaciones.