

EN
NEW

TRITUS®



40TH

 **PEDROLLO®**
the spring of life

NEW

Submersible grinder pump highly efficient.

TECHNICAL CHARACTERISTICS

- ▶ Superior cutting system provides improved shredding performance over radial cutters.
- ▶ Entire cutting system made of hardened, highly resistant stainless steel AISI 440C
- ▶ Double mechanical seals
- ▶ All cast iron parts subjected to Epoxy Electrocoating Treatment
- ▶ Precision cast stainless steel handle
- ▶ Control panel c/w thermal overload protector "manual reset". Including in the single phase version also the capacitors for start up and running
- ▶ Float switch equipped with patented tilting system (patent)

INSTALLATION AND USE

The grinder pump of the **TRITUS** series, made of remarkably thick cast iron, exceptionally robust, abrasion-resistant and long lasting, is equipped with highly resistant and tempered stainless steel GRINDER. This allows for the total shredding of solids and fibers contained in wastewater and sewage in domestic and civil sectors, for the conveyance under pressure into the sewer system through small diameter pipes.


APPLICATION LIMITS

- **10 m** maximum immersion depth
- Maximum liquid temperature **+40 °C**
- Suction down to **50 mm** above ground level
- **300 mm** minimum immersion depth for continuous service

STANDARD SUPPLY

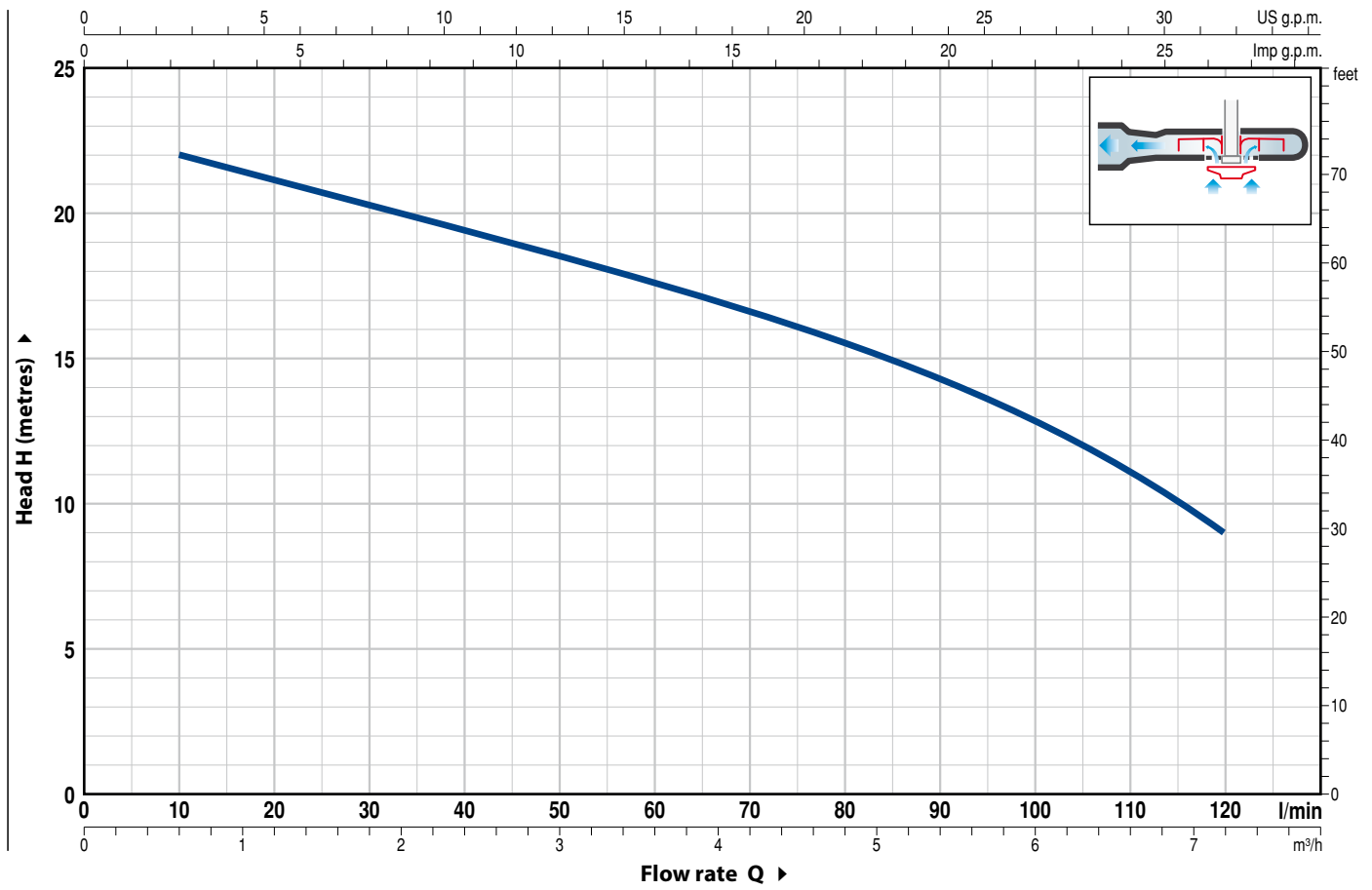
- Complete with **10 m** long power cable
- Float switch for single-phase versions

PATENTS - TRADE MARKS - MODELS

- Registered model n° 013017181 
- Patent Pending n° BO2015A000116
- Registered Community Design n° 002501486-0002

CHARACTERISTIC CURVES AND PERFORMANCE DATA

50 Hz n = 2900 1/min



MODEL		POWER		Q	Flow rate													
Single-phase	Three-phase	kW	HP		m³/h	0	0.6	1.2	1.8	2.4	3.0	3.6	4.2	4.8	5.4	6.0	6.6	7.2
TRm 1.1	TR 1.1	1.1	1.5	l/min	0	10	20	30	40	50	60	70	80	90	100	110	120	
				H metres	23	22	21	21.3	19.5	18.5	17.5	17	15.5	14.3	13	11	9	

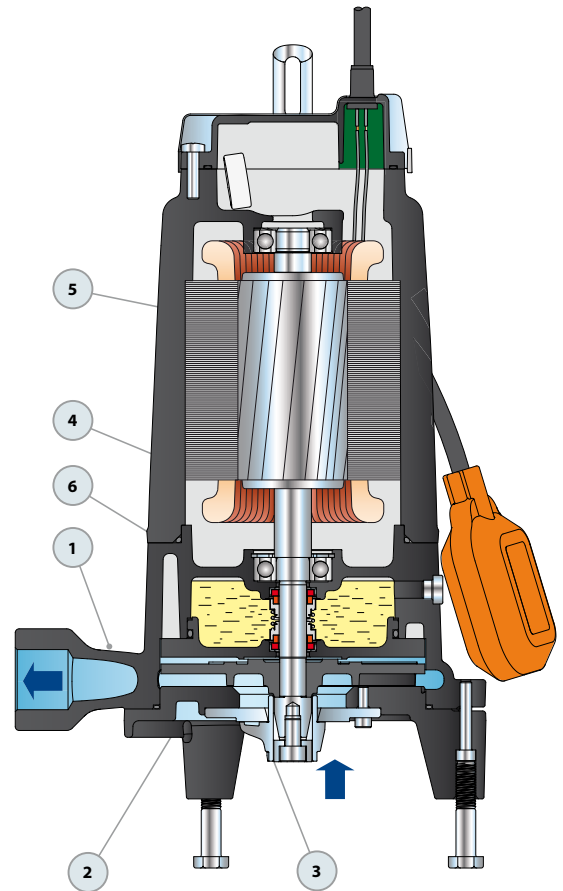
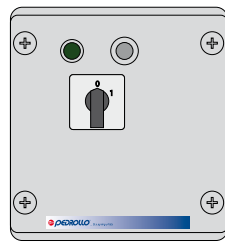
Q = Flow rate H = Total manometric head

Tolerance of characteristic curves in compliance with EN ISO 9906 Grade 3.

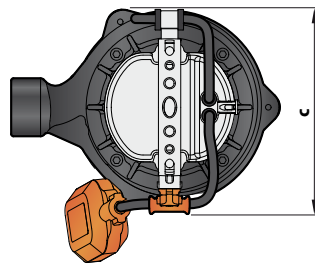
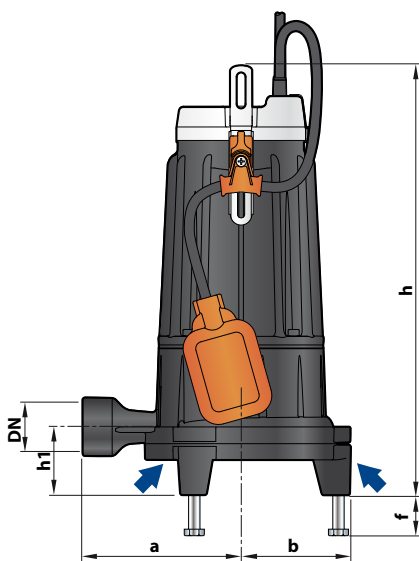
CONSTRUCTION CHARACTERISTICS

- 1 PUMP BODY** Cast iron, with threaded port in compliance with ISO 228/1
- 2 IMPELLER** Technopolymer open type
- 3 GRINDER** Tempered stainless steel AISI 440C
- 4 MOTOR SHAFT** Stainless steel EN 10088-3 - 1.4104
- 5 MOTOR CASING** Cast iron
- 6 DOUBLE MECHANICAL SEAL** Shaft with double mechanical seal separated by an oil chamber

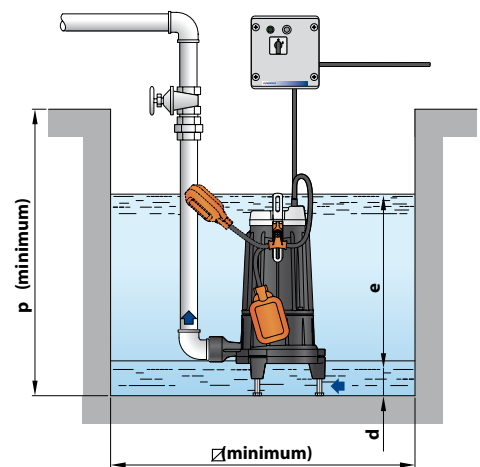
Control box for TRm 1.1
(only for single-phase versions)



DIMENSIONS



Typical installation



MODEL		PORT	DIMENSIONS mm									
Single-phase	Three-phase	DN	a	b	c	h	h1	f (*)	d	e	p	∅
TRm 1.1	TR 1.1	1¼"	140	100	200	387	61	48	50/98 (*)	variable	500	500

(*) = dimensions with 3 screws fitted



Pedrollo S.p.A. – Via Enrico Fermi, 7 – 37047 – San Bonifacio (VR)
tel. +39 045 6136311 – fax +39 045 7614663 – sales@pedrollo.com – www.pedrollo.com